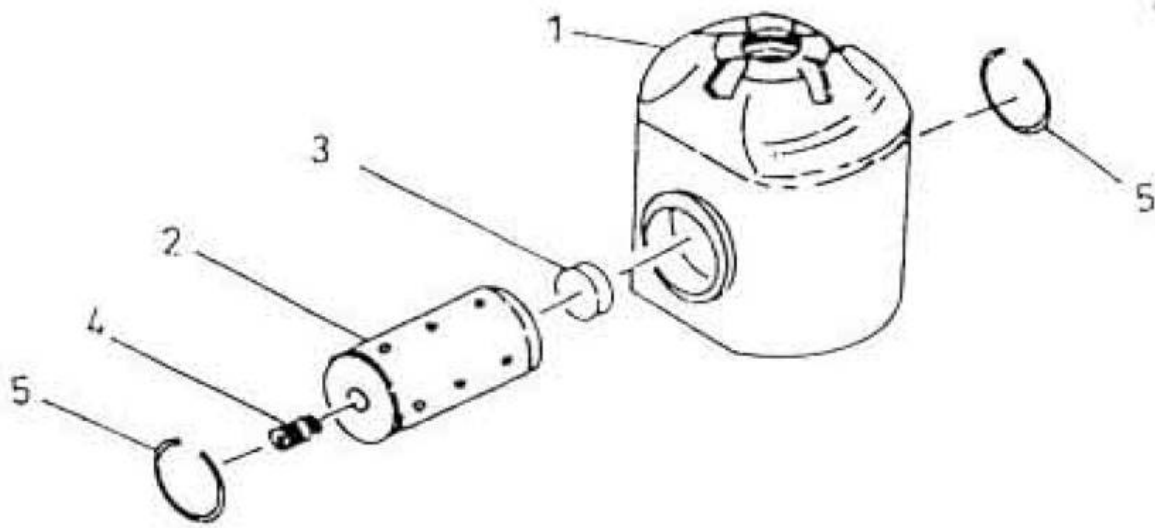


10. Assembly Cross Head - Model 7 x 5 LUB



10. Assembly Cross Head - Model 7 x 5 LUB

COMPRESSOR PARTS LIST						
ASSEMBLY NAME : ASSEMBLY CROSS HEAD						
ASSEMBLY DRAWING : FIG-1H						
SR. NO.	DESCRIPTION	PART NO.	QTY	UNIT	LLUS NO.	RECOM. SPARES QTY.
1	CROSS HEAD 5"	3055 9728	1	NO.	1	
2	PIN CROSSHEAD	3457 9342	1	NO.	2	
3	PLUG CROSSHEAD PIN	3056 9008	1	NO.	3	
4	PLUG 1/4"	9525 0932	1	NO.	4	
5	RING RETAINER	3057 6144IM	2	NO.	5	2

All manufacturer's names, numbers, photos, product description and/or part numbers are used for reference purposes only & it is not implied that any part listed is the product of these manufacturers. Since Approvement are made from time to time, the illustration and specifications are subject to change without notice.